



Top Loading Water Cooler

With No-Leak Bottle Receptacle

Model No.: 75IECHK-SSF-D-ST-WL

USER MANUAL

**SAVE THIS MANUAL
FOR FUTURE USE**

SAFETY PRECAUTIONS

Your safety and the safety of others are very important.

We have provided many important safety messages in this manual and your appliance. Always read and follow all safety messages.



This is the safety alert symbol.

This symbol alerts you to potential hazards that can kill or hurt you and others.

All safety messages will follow the safety alert symbol and either the word "DANGER" or "WARNING"

These words mean:



You can be killed or seriously injured if you don't immediately follow the instructions.



You can be killed or seriously injured if you don't follow the instructions.

All safety instructions will inform you what the potential hazard is, how to reduce the chance of injury, and what can happen if the instructions are not followed.

IMPORTANT SAFETY INSTRUCTIONS

WARNING: To reduce the risk of fire, electric shock, or injury when using your water cooler, follow these basic precautions:

- Plug it into a grounded 3-prong outlet.
- Do not remove the ground prong.
- Do not use an adapter.
- Disconnect the power before servicing.
- This appliance is not intended for use by persons (including children) with reduced physical, sensory or mental capabilities, or lack of experience and knowledge, unless they have been given supervision or instruction concerning use of the appliance by a person responsible for their safety.
Children should be supervised to ensure that they do not play with the appliance.
- If the supply cord is damaged, it must be replaced by the manufacturer, its service agent or similarly qualified persons in order to avoid a hazard.
- Replace all the parts and the panels before operating.
- Do not use an extension cord.
- Two or more people should move and install the water cooler and the bottles.

SAVE THESE INSTRUCTIONS

When operating this cooler, please observe the following:

- Prior to use, this cooler must be properly assembled and installed in accordance with this manual.
- This cooler is intended only for water dispensing. Do NOT use other liquids. Do NOT use for other purposes. Never use other liquids in the cooler other than known and microbiologically safe bottled water. Warranty is void if used with any other liquids, such as coffee, tea, juices, beer or wine.

Location Requirements:

- Install in the area where it is protected from the elements including direct sun.
- Install and use only on a hard, flat and level surface.
- Do NOT place the cooler inside an enclosed space or cabinet.
- Position the cooler no closer than 4 inches from the wall with at least 4 inches clearance on the sides to permit free airflow.
- Service should only be performed by a certified technician. Please contact us at (855) 594-4755 (855-5WHIRL5) for assistance.
- **Opening any panel of this machine will void the warranty. Store returns will not be accepted.**

State of California Proposition 65 Warnings:

WARNING: This product contains one or more chemicals known to the State of California to cause cancer.

WARNING: This product contains one or more chemicals known to the State of California to cause birth defects or other reproductive harm.

The above warning applies to electrical components within this product only. Components within this product that contact drinking water do not contain the chemicals referred to in the above warning.

PRODUCT FEATURES

Congratulations! You have chosen an Advanced Technology State of the Art Water Cooler.

Energy Star settings:

Energy Star compliant default settings are factory set.

Adjustable Temperature:

Display allows for customizing temperature for hot and cold water.

Note: After initial setup, it may take up to 3 hours for water to reach the maximum cold temperature. During this time, the compressor will run continuously. The compressor works to build up an ice bank, this is normal.

No-Leak and No-Spill Bottle Receptacle:

Designed to be used with both standard and plain bottle caps with white valve. The bottle receptacle is dishwasher safe and protects from water leaks due to faulty bottles.

Bottle type and size:

Designed for use with all standard 3 and 5 gallon bottles.

Note: May not work with some disposable bottles.

Stainless steel cabinet with storage:

Fits any décor, easy to maintain, and perfect for cups, coffee, tea, and sugar storage.



TABLE OF CONTENTS

Safety Precautions	2
Product Features	4
Key Information for Future Use	5
Specifications	6
Parts & Features	7
Unpacking and Assembly	8
How to adjust leveling feet	8
Operation	9
Cleaning Prior to Initial Use.....	10
Display operation	11
Proper Care & Cleaning	13
Troubleshooting	15
Limited Warranty	16

KEY INFORMATION FOR FUTURE USE



Please register your cooler immediately at www.electrotemp.com

For future support, please record your serial number (located on label on back of cooler) and date purchased. Staple your receipt to manual.

You will need this information to obtain warranty service.

Product	Top Loading Water Cooler
Model Number	75IECHK-SSF-D-ST-WL
Serial ID Number	_____
Date of Purchase	_____



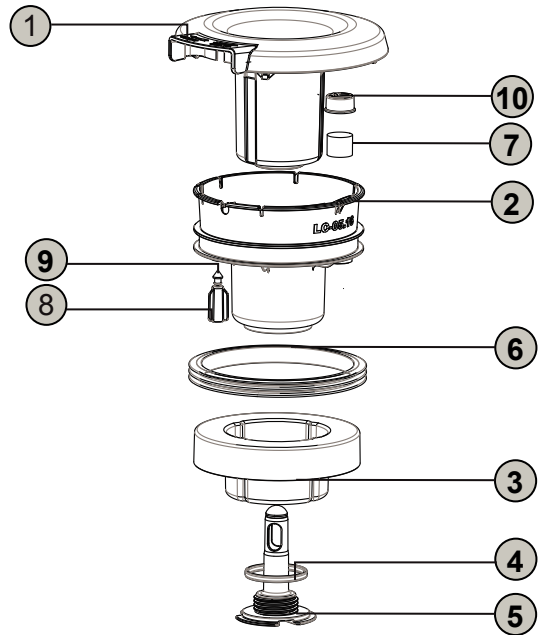
SPECIFICATIONS

Power Supply	120V / 60Hz
Refrigerant Type	R-134A
Max Cold Water Power	<100W
Cold Capacity / Hour	1 G/H
Cold Temp Range	37°F – 50°F
Hot Water Power	650W
Hot Capacity / Hour	1.3G/Hour(> 176°F)
Hot Temp Range	185°F – 203°F
Dimensions	39 H x 12W x 13D(inches) (Not including feet)
Net Weight	35lbs

PARTS & FEATURES

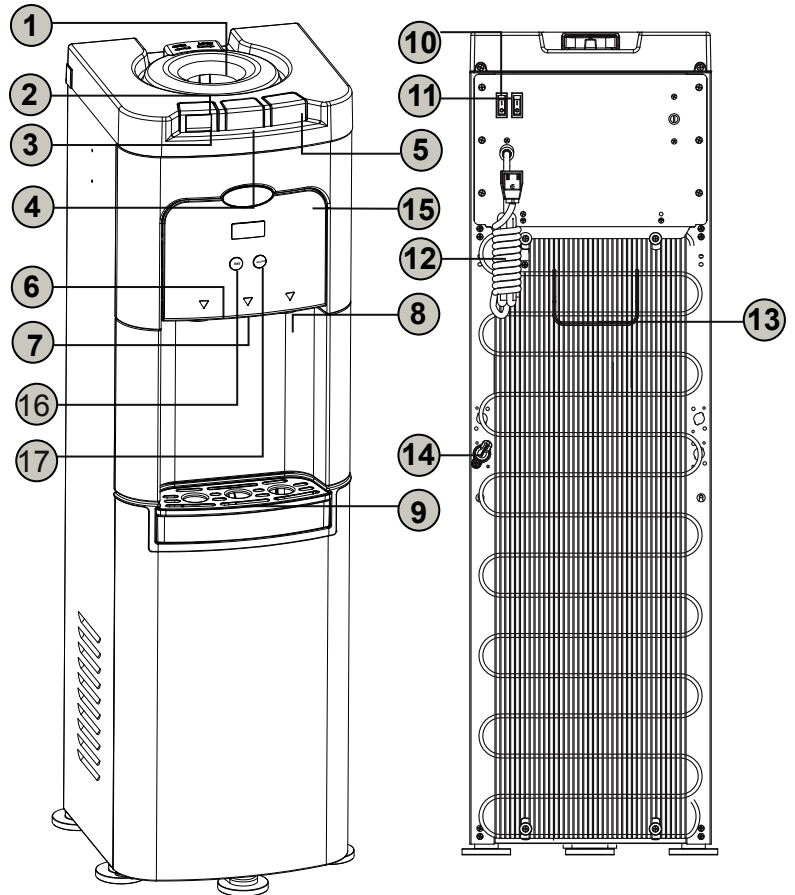
No Leak Bottle receptacle sub-assembly

- Top part of bottle receptacle (1)
- Middle part of bottle receptacle (2)
- Ring float (3)
- Bottle receptacle mandril (4)
- Bottle receptacle seal (5)
- Seal ring for tank (6)
- Air filter (7)
- One way valve housing (8)
- One way valve (9)
- Air filter housing (10)



Water cooler

- Bottle Probe (1)
- Hot Water Control (2)
- Hot Water Release (3)
- Cook Water Control (4)
- Cold Water Control (5)
- Hidden Faucet (Hot Water) (6)
- Hidden Faucet (Cooking Water) (7)
- Hidden Faucet (Cold Water) (8)
- Drip Tray (9)
- Hot Power Switch (Energy Saving) (10)
- Cold Power Switch (Energy Saving) (11)
- Power Cord (12)
- Carry Handle (13)
- Drain Plug (14)
- IMD (15)
- Set (16)
- Adjust (17)



UNPACKING AND ASSEMBLY

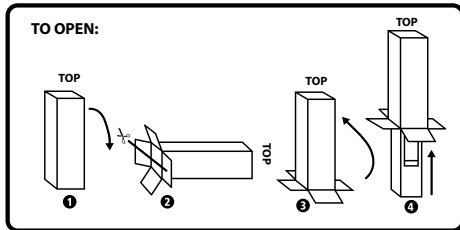
⚠ WARNING

Excessive Weight Hazard

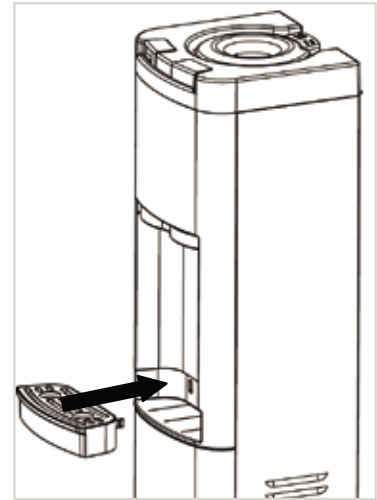
Use two or more people to move and install water cooler and bottles.

Failure to do so can result in back or other injury.

Remove the cooler from packaging:



1. Lay cooler on its side.
2. Open bottom flaps of the cardboard box.
3. Stand cooler up with flaps unfolded.
4. Pull box straight up.
5. Unpack the drip tray and insert it into the cooler. (See illustration)
6. Keep original packing for the duration of warranty.



HOW TO ADJUST LEVELING FEET

⚠ WARNING



Tip Over Hazard

Do not use water cooler until leveling feet are attached to bottom of water cooler and unit is level. Failure to do so can result in death or serious injury.

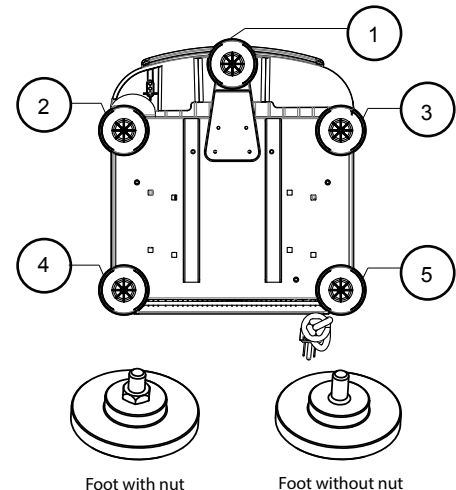
1. Gently lay water cooler onto its back.
2. Install the feet with self locking nuts into the holes marked 2,3,4 and 5.
3. Install the foot without a nut into the hole marked as 1.
4. Carefully stand the cooler up.
5. To level the cooler, first adjust feet 1,4 and 5, then 2 and 3.
6. For proper stability, all feet must be in contact with the floor.

⚠ WARNING

Excessive Weight Hazard

Use two or more people to move and install water cooler and bottles.

Failure to do so can result in back or other injury.



Foot with nut

Foot without nut

OPERATION

IMPORTANT

This unit is intended for water dispensing only. Do NOT use other liquids. Do NOT use for other purposes. Warranty is void if used with any other liquids such as coffee, tea, juices, beer or wine.

This cooler has been designed to use water bottles with a 3 or 5 gallon capacity. Do NOT use alternative bottles.

Initial Set Up

1. Allow the unit to sit upright for at least 4 hours prior to operation.
2. Remove the tamper seal from the bottle cap. Do NOT remove the plastic cap.
3. Clean the bottle cap and neck using a soft cloth and warm soapy water, then rinse.

WARNING

Excessive Weight Hazard

Use two or more people to move and install water cooler and bottles.

Failure to do so can result in back or other injury.

4. Lift the bottle and insert onto the probe. Apply pressure until the plug inside the cap pushes in and the bottle is seated. Water will begin to flow into the reservoirs, causing air bubbles to form in the bottle.

WARNING



Electrical shock Hazard

Plug into a grounded 3 prong outlet.

Do not remove ground prong.

Do not use an adapter.

Do not use an extension cord.

Failure to follow these instructions can result in death, fire, or electrical shock.

5. Plug power cord into a properly grounded wall outlet.
6. Turn energy saving switch on back of cooler to ON. This switch controls the heating of water. If you do not want hot water, turn this switch OFF.

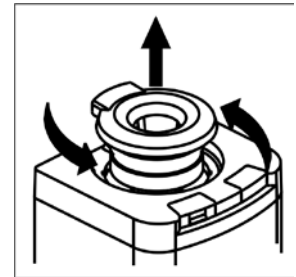
CLEANING PRIOR TO INITIAL USE

Cooler is ready to use right out from the box and cleaning is not required. However, if you wish to do so, please follow instructions.

UNPLUG THE COOLER FROM THE ELECTRICAL POWER OUTLET AT THIS TIME.

Time Required for Set Up: 20 minutes.

1. Remove the bottle receptacle by turning it counter clockwise and pulling up.
2. Remove the plastic baffle from inside the reservoir. Clean with warm soapy water, rinse.
3. Fill the reservoir with a mixture of 3 quarts tap water and 1 teaspoon of unscented bleach (5.25% sodium hypochlorite).
4. Let sit for 5 minutes.
5. Dispense 1 cup of mixture through both faucets to clean out water ways.
6. Place a 2 gallon or larger bucket under the drain plug in the rear of the cooler. Remove drain cap and drain plug.



To remove bottle receptacle, turn counter clockwise and lift.

Reminder - Place the drain cap, drain plug and screw in a safe location

7. When draining is complete, empty the bucket.
8. Replace drain cap and drain plug.
9. Fill the reservoir with 1 gallon of tap water.
10. Dispense 1 cup of water through both faucets to rinse out water ways.
11. Remove the drain cap and the drain plug.

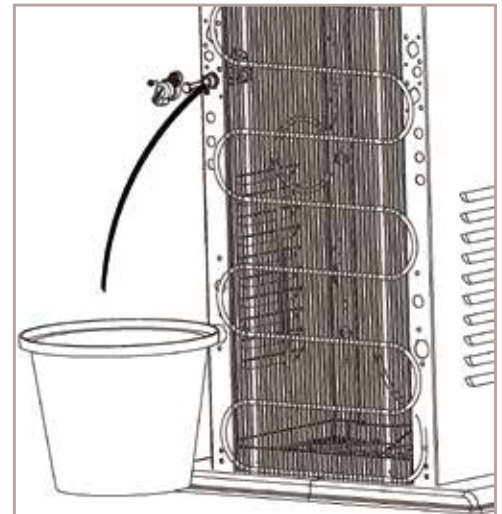
Reminder - Place the drain cap, drain plug and screw in a safe location

13. Remove the water from the reservoirs by dispensing it from both taps into a pitcher.
14. Replace all parts.

Reminder - Don't forget the drain plug and drain cap

15. Repeat rinse cycle.
16. Plug water cooler into properly grounded wall outlet. Complete the installation and follow the operation instructions indicated in this manual.

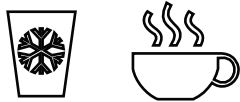
Note: If Chlorine taste persists continue to rinse or let cooler to sit dry for a few days, until chlorine taste disappears. If your water has an off-taste, do not return the cooler to store, please contact us at (855) 594-4755 (855-5WHIRL5) for assistance.



DISPLAY OPERATION

Display Functions

Shows current cold and hot water temperature and allows for dialing in customized temperatures for both cold and hot waters.



Cold and **Hot** water symbols will flash when heating and cooling are working.

Adjusting temperature:

- Hold SET button until hot temperature display starts flashing.
- Touch to adjust temperature incrementally.
- Touch SET to save
- Do the same for Cold temperature.

Temperature Range:

- Hot from 160°F to 199°F
- Cold from 39°F to 55°F

Choosing Temperature scale:

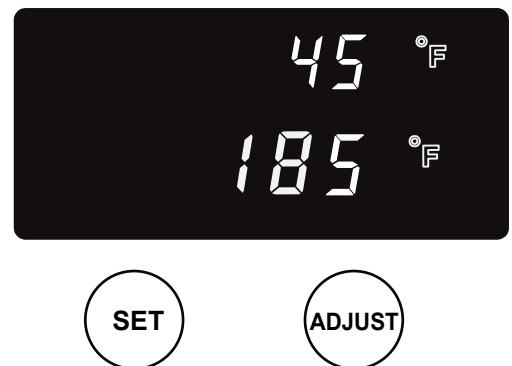
- Factory default settings are Fahrenheit.
- Press SET button until C or F icon flashes.
- Switch between C and F by touching adjust button.
- Touch SET to save

Energy Star settings:

- Energy Star compliant default settings are factory set.
- By setting your desired temperatures you may exit the default Energy Star settings.
- To return to factory default settings unplug then re-plug power cord to reset Energy Star settings.
- By choosing the maximum cold and the maximum hot water settings you may increase power consumption by up to 200 Watts per day.

Optimum Settings:

For optimum performance set cold water at 42°F and hot water at 194°F.



Dispensing Cold Water

Note: After initial setup, it may take up to 3 hours for water to reach the maximum cold temperature. During this time, the compressor will run continuously. The compressor works to build up an ice bank, this is normal.

1. Position container securely below the cold water tap.
 - The right arrow below the cold water control indicates the location of the cold water tap (See Parts & Features Section # 5).
 - The circular shapes in the drip plate help align the flow of water. This unit dispenses water at a fast rate. To avoid splashes, hold the cup as close to the tap as possible.
2. Press the cold water control downward to start dispensing water.
3. Release the cold water control once the desired fill level is achieved.

Dispensing Hot Water

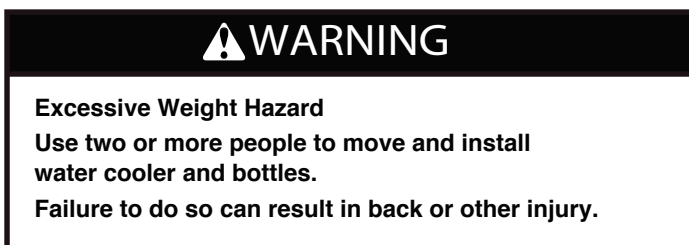
Note: Hot water is available approximately 15 - 20 minutes after initial set up

1. Position container securely below the hot water tap.
 - The right arrow below the hot water control indicates the location of the hot water tap (See Parts & Features Section # 5).
 - The circular shapes in the drip plate help align the flow of water. This unit dispenses water at a fast rate. To avoid splashes, hold the cup as close to the tap as possible.
2. Press the hot water control downward to start dispensing water.
3. To activate hot water dispensing nozzle, push the red safety lock inwards and hot button downward.
4. Release the hot water control once the desired fill level is achieved.

Replacing an Empty Bottle

Note: Replace the bottle as soon as you notice that it is empty.

1. Lift the bottle straight up to disengage it from the bottle probe.



2. Remove the tamper seal from the top of bottle cap of the fresh bottle. Do NOT remove the plastic cap.
3. Lift the bottle and insert it onto the probe. Apply pressure until the plug inside the cap pushes in and the bottle is seated. Water will begin to flow into the reservoirs, causing air bubbles in the bottle.

PROPER CARE & CLEANING

Stainless steel

- Use designated stainless steel cleaners only.
- Follow instructions on manufacturer's label.

Note: Do not use abrasive chemicals or cleaners.

General Cleaning

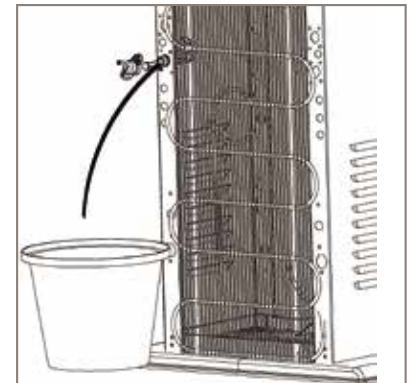
1. Clean the cabinet surfaces using a soft cloth and warm soapy water, then rinse.
2. Wipe dust off back of water cooler to improve efficiency.
3. Remove the drip tray assembly by pulling it forward. Remove the cover. Place the tray and cover in the dishwasher or wipe the parts clean using a soft cloth and warm soapy water.
4. Reattach drip tray assembly.

Note: Do NOT use abrasive chemicals or cleaners. Doing so may scratch surfaces and contaminate drinking water.

Cleaning Cold Reservoir and Water Lines

Time Required: 15 minutes.

1. Turn off both power switches.
2. Unplug the power cord from the wall outlet.
3. Remove the water bottle.
4. Place a 2 gallon or larger bucket under the drain plug in the rear of the cooler. Remove the drain cap and the drain plug. Cold water will immediately flow into the bucket. After several seconds, hot water will be dispensed.





Reminder - Place the drain cap, drain plug and screw in a safe location.

5. Once unit has completed draining replace drain cap and drain plug.
6. Remove remaining water from cold reservoir by dispensing from both taps into a pitcher.

Note: For optimal performance clean water lines every 3 months or when an off-taste occurs. Cleaning is also recommended prior to replacing water bottle.

Continued on next page

 WARNING

<p>Electrical shock Hazard Plug into a grounded 3 prong outlet. Do not remove ground prong. Do not use an adapter. Do not use an extension cord. Failure to follow these instructions can result in death, fire, or electrical shock.</p>

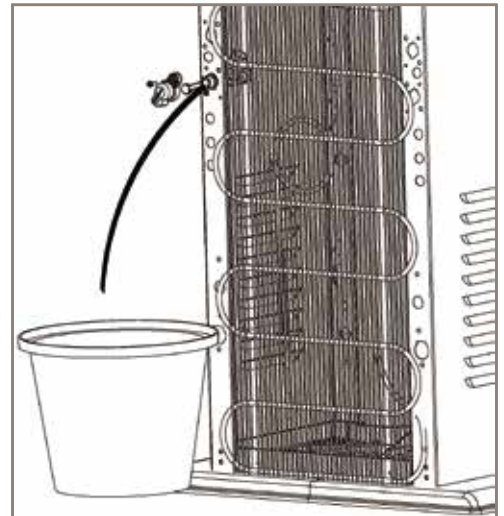
7. Remove bottle receptacle by turning it counter clockwise and pulling up. Store in a safe location so it will not be lost.
8. Remove plastic baffle from inside reservoir.
9. Clean bottle receptacle and baffle with a soft cloth using a mixture of one gallon tap water and 1 teaspoon unscented household bleach, then rinse. Wipe inside of reservoir and area around both taps with a soft cloth using the mixture of one gallon tap water and 1 teaspoon unscented household bleach (i.e. 5.25% sodium hypochlorite). Pour the one gallon tap water and 1 teaspoon unscented household bleach mixture into the reservoir.
10. Dispense 1 cup of mixture through both faucets to clean out water ways.
11. Place a 2 gallon or larger bucket under the drain plug in the rear of the cooler and remove drain cap and drain plug to drain.

Reminder - Place the drain cap, drain plug and screw in a safe location.

12. Remove the cleaning mixture from reservoir by dispensing it from both taps into a pitcher.
13. Replace drain cap and drain plug.
14. Rinse system by repeating steps 12 – 15 above, but this time using 1 gallon of tap water.
15. Remove remaining water from reservoir by dispensing from both taps into a pitcher.
16. Replace all parts including drain plug, drain cap, baffle and probe assembly.
17. Install a fresh bottle of water after cleaning bottle cap and neck area.
18. Repeat rinsing cycle if chlorine taste persists.
19. Plug power cord into grounded wall outlet.
20. Turn energy saving switch ON

Descaling your hot water tank

1. Unplug the power cord.
2. Remove water bottle and drain water using faucets.
3. Remove drain plug in back of water cooler to drain remaining water from hot tank.
4. Place and secure the plug back into the drain.
5. Pour 1.5 quarts of tap water mixed with lime and rust remover into cold water tank



- Note:** Follow manufacturer's instructions for concentration levels and cleaning time.
6. Drain solution through the drain at the back of the large container and rinse with tap water while drain is open.
 7. Replace drain plug and flush water cooler with tap water until water is free of taste or smell.
 8. Plug power cord into properly grounded wall outlet.

TROUBLESHOOTING

Minimal or no flow and/or dripping water from water faucets:

Make sure that the bottle is not empty. If so, replace per instructions.

Ensure that water cooler controls have been fully activated.

If you are using mineral or mineralized water, the water cooler hot tank should be descaled every one or two years depending on concentration of minerals.

Refer to “Proper Care and Cleaning” section.

How to prevent calcium deposits in water cooler:

The best way to avoid formation of calcium deposits is to only use distilled or reverse osmosis water.

To clean deposits in water cooler refer to “Proper Care and Cleaning” section.

Cooler is not operating:

Ensure that water cooler power cord is properly connected to a working outlet.

Water is leaking:

Replace water bottle. Most common cause is a cracked bottle.

Call (855) 594-4755 (855-5WHIRL5) for assistance.

Push buttons are stuck and/or faucets are leaking:

Apply few drops of mineral oil to the button slides to reduce friction.

Water is not cold:

It may take up to 1 hour after initial setup for water cooler to dispense cold water.

Make sure that the back of the water cooler is at least 4 inches from the wall and that air is free to flow on all 4 sides of the water cooler.

Make sure that the tank is not overfilled, dispense water until bubbles appear in the bottle.



LIMITED WARRANTY

Electrotemp Technologies Inc., (“Vendor”) warrants to the original purchaser of this cooler, and to no other person, that if this cooler is assembled and operated in accordance with the printed instructions accompanying it, then for a period of one (1) year from the date of purchase, all parts in such cooler shall be free from defects in material and workmanship. Vendor may require reasonable proof of your date of purchase from an authorized retailer or distributor. Therefore, you should retain your sales slip or invoice. The Limited Warranty shall be limited to repair or replacement of parts, which prove defective under normal use and service and which Vendor shall determine in its reasonable discretion upon examination to be defective. Before returning any parts, you should contact Vendor’s Customer Service Department using the contact information listed below. If Vendor confirms, after examination, a defect covered by this Limited Warranty in any returned part, and if Vendor approves claim, Vendor will replace such defective part without charge. If you return defective parts, transportation charges must be prepaid by you. Vendor will return replacement parts to original purchaser, freight or postage prepaid.

The Limited Warranty does not cover any failures or operating difficulties due to accident, abuse, misuse, alteration, misapplication, improper installation or improper maintenance or service by you or any third party, or failure to perform normal and routine maintenance on the cooler, as set out in the User’s Manual. In addition, the Limited Warranty does not cover damages to the finish, such as scratches, dents, discoloration or rust after purchase.

The Limited Warranty is in lieu of all other express warranties. Vendor disclaims all warranties for products that are purchased from seller other than authorized retailers or distributors. AFTER THE PERIOD OF THE ONE (1) YEAR EXPRESS WARRANTY, VENDOR DISCLAIMS ANY AND ALL IMPLIED WARRANTIES, INCLUDING WITHOUT LIMITATION THE IMPLIED WARRANTIES OF MERCHANTABILITY AND FITNESS FOR A PARTICULAR PURPOSE. FURTHER, VENDOR SHALL HAVE NO LIABILITY WHATSOEVER TO PURCHASER OR ANY THIRD PARTY FOR ANY SPECIAL, INDIRECT, PUNITIVE, INCIDENTAL, OR CONSEQUENTIAL DAMAGES. Vendor assumes no responsibility for any defects caused by third parties. This Limited Warranty gives the purchaser specific legal rights; a purchaser may have other rights depending upon where he or she lives. Some jurisdictions do not allow exclusion or limitation of special, incidental or consequential damages, or limitations on how long a warranty lasts, so the above exclusion and limitations may not apply to you.

Warranty is void if the electrical outlet is improperly wired to incorrectly sized circuit breaker or fuse, if not grounded properly, or wires do not have correct polarity.

Use of this cooler confirms Purchasers agreement with the conditions of this warranty.

®/™ ©2015 Whirlpool. All rights reserved.

Manufactured under license by Electrotemp Technologies Inc., Mississauga, ON, Canada
Limited warranty provided by manufacturer.

名称：说明书75IECHK-SSF-D-ST-WL English
图号：5M010793XW02(E)

修订	版本号	修改内容	修改人	日期
	01	1、第八页脚垫安装说明变更	程丽霞	2015-05-14
	02	1、第3页CA65加一句话	程丽霞	2015-05-14

技术要求：

- 1、尺寸：215 × 279mm
- 2、单色印刷
- 3、产品符合RoHS要求
- 4、批量生产前一定要样品确认，不得擅自更改图纸。
- 5、已经根据DRC-包材设计可靠性检查表核对过。

设计：_____ 工程审核：_____ 业务审核：_____

品质审核：_____ 批准：_____