



**Stainless Steel Hot and
Ice Cold Water Cooler**

Model No.: 7LIECH-SSF-WL

USERS' MANUAL

**SAVE THIS MANUAL
FOR FUTURE USE**

**For service, call 1-855-594-4755
or e-mail Whirlpool@electrotemp.com**

TABLE OF CONTENTS

Safety precautions electrical requirements	2
Safety precautions	3
Product Features	4
Key Information for Future Use	4
Specifications	5
Parts & Features	5
Unpacking and Assembly	6
Installation	6
Operation	7
Cleaning Prior to Initial Use	9
Proper Care & Descaling	10
Troubleshooting	14
Limited Warranty	15

SAFETY PRECAUTIONS ---Electrical Requirements

⚠ WARNING



Electrical shock Hazard

- Plug into a grounded 3-prong outlet.
- Do not remove ground prong.
- Do not use an adapter.
- Do not use an extension cord.
- Failure to follow these instructions can result in death, fire, or electrical shock.

A 120 volt, 60 Hz., AC only, 15 amp, fused electrical supply is required. A time-delay fuse or circuit breaker is recommended.

If codes permit and a separate ground wire is used, it is recommended that a qualified electrician determine that the ground path is adequate.

Check with a qualified electrician if you are not sure whether the water cooler is properly grounded. The proprietary design of the hot water tank assures availability of hot water and efficient energy use.

IMPORTANT: Do NOT Return Dispenser To Store.

If you have a question or problem, please contact 1-855-594-4755 for assistance.

SAFETY PRECAUTIONS

Your safety and the safety of others are very important.

We have provided many important safety messages in this manual and your appliance. Always read and follow all safety messages.



This is the safety alert symbol.

This symbol alerts you to potential hazards that can kill or injure you and others.

All safety messages will follow the safety alert symbol and either the word "DANGER" or "WARNING"

These words mean:

▲ DANGER

You can be killed or seriously injured if you don't immediately follow the instructions.

▲ WARNING

All safety instructions will inform you what the potential hazard is, how to reduce the chance of injury, and what can happen if the instructions are not followed.

State of California Proposition 65 Warnings:

WARNING: This product contains one or more chemicals known to the State of California to cause cancer.

WARNING: This product contains one or more chemicals known to the State of California to cause birth defects or other reproductive harm.

The above warnings apply to electrical components within this product only, and not components that come into contact with drinking water.

IMPORTANT SAFETY INSTRUCTIONS

WARNING: To reduce the risk of fire, electric shock, or other injury when using your water cooler, follow these basic precautions:

- Plug it into a grounded 3-prong outlet.
- Do not remove the ground prong.
- Do not use an adapter.
- Disconnect power before servicing.
- Never allow children to dispense hot water without proper supervision. Unplug unit to prevent unsupervised use by children.
- All of the parts and panels must be in place before use.
- Do not use an extension cord.
- Two or more people should move and install the water cooler and the bottles.

SAVE THESE INSTRUCTIONS

When operating this dispenser, please observe the following:

- Prior to use, this dispenser must be properly assembled and installed in accordance with this manual.
- This dispenser is intended to dispense water only. Do NOT use other liquids. Do NOT use for other purposes. Never use other liquids in the dispenser other than known and microbiologically safe bottled water. Warranty is void if used with any other liquids, including but not limited to coffee, tea, juices, beer, or wine.
- **Location Requirements:**
 - Install the unit in an area where it is protected from the elements including direct sun.
 - Install and use only on a hard, flat and level surface.
 - Do NOT place the dispenser inside an enclosed space or cabinet.
 - Position the dispenser no closer than 4 inches from the wall. Leave at least 4 inches of clearance on all sides to permit free airflow.
 - Service should only be performed by a certified technician. Please contact us at 1-855-594-4755 for assistance.

IMPORTANT: Do NOT Return Dispenser To Store.

If you have a question or problem, please contact 1-855-594-4755 for assistance.

PRODUCT FEATURES

Congratulations! You have chosen a technology advanced, state-of-the-art Water Cooler.

The refrigeration system on this cooler cools the cold water by internal evaporator of commercial design that forms the ice around it. This feature is called an "Ice Bank". It allows for ice cold water and keeps the water temperature consistently cold, however a longer time in forming the Ice Bank is required. Since ice is an insulator, the more ice is built up, the slower the next layer is made.

WHEN UNIT IS PLUGGED IN FOR THE FIRST TIME WAIT FOR UP TO 1 HOUR FOR WATER TEMPERATURES TO REACH COLD TEMPERATURES. COMPRESSOR WILL CONTINUE TO WORK UP TO 2.5 HOURS TO BUILD UP ICE BANK.

KEY INFORMATION FOR FUTURE USE



Please register your dispenser immediately at www.electrotemp.com

For future support, please record your serial number (located on label on back of dispenser) and date purchased. Staple your receipt to manual.

You will need this information to obtain warranty service.

Product **Stainless Steel Hot and Ice Cold Water Cooler**

Model Number **7LIECH-SSF-WL**

Serial ID Number _____

Date of Purchase _____

IMPORTANT: Do NOT Return Dispenser To Store.
If you have a question or problem, please contact 1-855-594-4755 for assistance.

SPECIFICATIONS

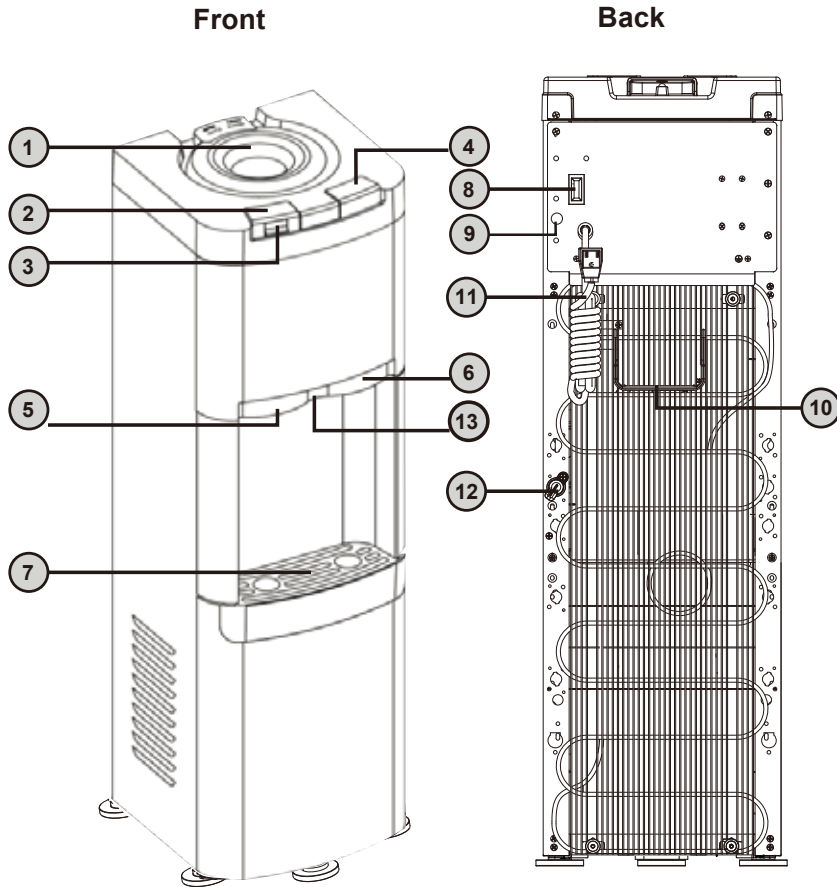


Version 2.0

Power Supply	AC120V /60Hz 4.5 Amp
Refrigerant Type	R-134A
Cold Water Power	100 Watts
Cold Capacity / Hour	4 L / 1.05 Gallon
Cold Temp Rang	3°C - 10°C / 37.4°F - 50°F
Hot Water Power	425 Watts
Hot Capacity / Hour	4 L / 1.05 Gallon
Hot Temp Range	80°C - 92°C / 176°F - 197.6°F
Dimensions	92.7 H × 27.5 W × 28.6 D (cm) 36.5 H × 10.8 W × 11.3 D (inch)
Net Weight	27.6 lbs / 12.5 Kg

PARTS & FEATURES

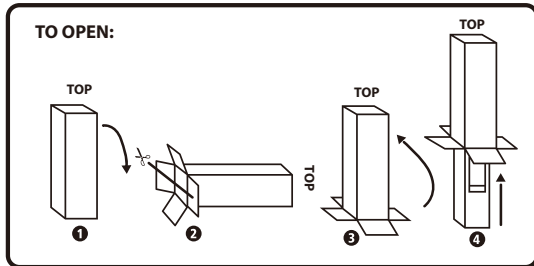
- Bottle Probe ①
- Hot Water Control ②
- Child Safety Latch ③
- Cold Water Control ④
- Hot Water Tap ⑤
- Cold Water Tap ⑥
- Drip Tray ⑦
- Energy Saving Switch ⑧
- Cooling Thermostat ⑨
- Carry Handle ⑩
- Power Cord ⑪
- Drain Plug ⑫
- LED night light ⑬



IMPORTANT: Do NOT Return Dispenser To Store.
If you have a question or problem, please contact 1-855-594-4755 for assistance.


UNPACKING AND ASSEMBLY

Remove the dispenser from packaging:



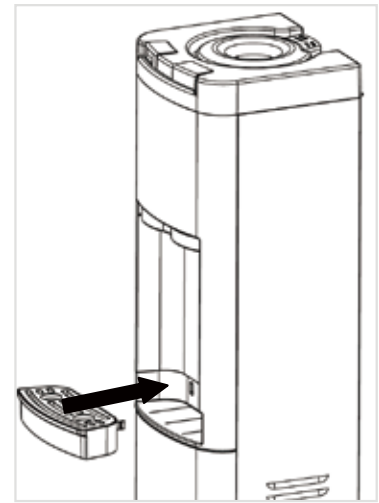
1. Lay the box containing the unit on its side.
2. Open bottom flaps of the cardboard box.
3. Stand cooler upright, with box flaps unfolded.
4. Pull box straight up.
5. Unpack the drip tray and insert it into the dispenser.
6. Keep original packing for the duration of warranty.

⚠ WARNING




Tip Over Hazard

Do not use water cooler until leveling feet are attached to bottom of water cooler and unit is level. Failure to do so can result in death or serious injury.



INSTALLATION

⚠ WARNING



Tip Over Hazard

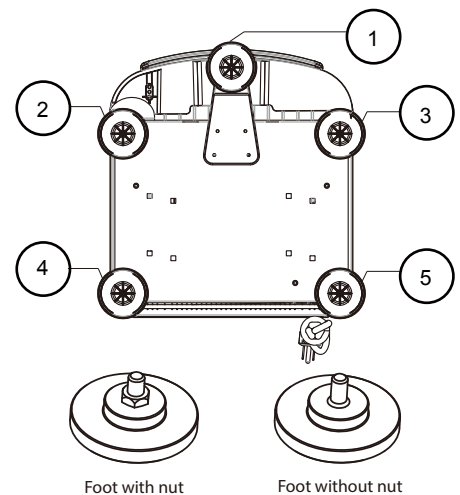
Do not use water cooler until leveling feet are attached to bottom of water cooler and unit is level. Failure to do so can result in death or serious injury.

⚠ WARNING

Excessive Weight Hazard

Use two or more people to move and install bottles. Failure to do so can result in back or other injury.

1. Gently lay water cooler onto it's back.
2. Install the feet with self locking nuts into the holes marked 2,3,4 and 5.
3. Install the foot without a nut into the hole marked as 1.
4. Carefully stand the cooler up.
5. To level the cooler, first adjust feet 1,4 and 5, then 2 and 3.
6. For proper stability, all feet must be in contact with the floor.



IMPORTANT: Do NOT Return Dispenser To Store.
 If you have a question or problem, please contact 1-855-594-4755 for assistance.

OPERATION

IMPORTANT

This unit is intended for water dispensing only. Do NOT use other liquids. Do NOT use for other purposes. Warranty is void if used with any other liquids such as coffee, tea, juices, beer or wine.

This dispenser has been designed to use water bottles with a 3 or 5 gallon capacity. Do NOT use alternative bottles.

Initial Set Up

Note: To avoid damage to the compressor, allow the unit to sit upright for at least 4 hours prior to operation.

1. Remove the tamper seal from the bottle cap. Do NOT remove the plastic cap.
2. Clean the bottle cap and neck using a soft cloth and warm soapy water, then rinse afterwards.

⚠ WARNING

Excessive Weight Hazard

Use two or more people to move and install the water cooler and the bottles.

Failure to do so can result in back or other injury.

3. Lift the bottle and insert onto the probe. Apply slight pressure until the plug inside the cap pushes in and the bottle is seated. Water will begin to flow into the reservoirs, causing air bubbles to form in the bottle.

⚠ WARNING



Electrical shock Hazard

Plug into a grounded 3 prong outlet.

Do not remove ground prong.

Do not use an adapter.

Do not use an extension cord.

Failure to follow these instructions can result in death, fire, or electrical shock.

4. Plug the cord into a properly grounded wall outlet.
5. Turn energy saving switch on back of dispenser to ON. This switch controls the heating of water. If you do not want hot water, turn this switch OFF.

IMPORTANT: Do NOT Return Dispenser To Store.

If you have a question or problem, please contact 1-855-594-4755 for assistance.

Dispensing Cold Water

Note: After setup, it will take up to 1 hour to get the water to its cold temperature. During this time, the compressor may run continuously as the refrigeration system builds the Ice Bank as noted in the "Product Features" section.

1. Position the container you wish to fill with water securely below the cold water tap.
 - The right triangle below the cold water control indicates the location of the cold water tap (See the Parts & Features section on page 5).
 - The circular shapes in the drip plate help to align the flow of water. This unit dispenses water quickly. To avoid splashes, hold the cup as close to the tap as possible.
2. Press the right control downward to start dispensing water.
3. Release the control once desired fill level is achieved

Dispensing Hot Water

1. Hot water available 15~20 minutes after set up.
2. Red arrow and target holes in the grill indicate positioning of your container for dispensing hot water.
3. Hold your container close to dispensing nozzle to avoid splashes.
4. To activate hot water dispensing nozzle push red lock inwards and hot button downwards.
5. To stop dispensing hot water release the button.

Replacing an Empty Bottle

Note: Replace the bottle as soon as you notice that it is empty.

1. Lift the bottle straight up to disengage it from the bottle probe.

⚠ WARNING

Excessive Weight Hazard

Use two or more people to move and install the water cooler and the bottles.

Failure to do so can result in back or other injury.

2. Remove the tamper seal from the top of bottle cap of the fresh bottle. Do NOT remove the plastic cap.
3. Lift the bottle and insert it onto the probe. Apply slight pressure until the plug inside the cap pushes in and the bottle is seated. Water will begin to flow into the reservoirs, causing air bubbles in the bottle.

IMPORTANT: Do NOT Return Dispenser To Store.

If you have a question or problem, please contact 1-855-594-4755 for assistance.

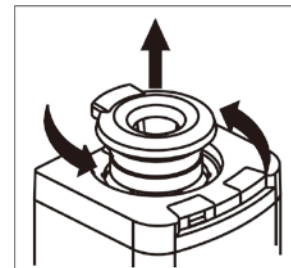
CLEANING PRIOR TO INITIAL USE

To remove any odors or dust that may have accumulated during shipment, you may want to clean the dispenser prior to first use.

DO NOT PLUG THE COOLER INTO AN ELECTRICAL POWER OUTLET AT THIS TIME.

Time Required for Set Up: 40 minutes.

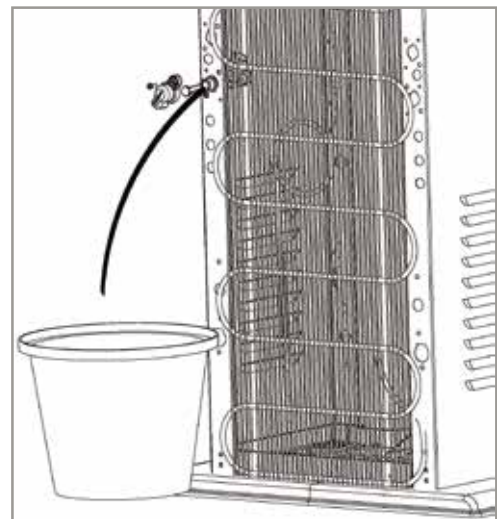
1. Remove the bottle receptacle by turning it counter clockwise and pulling up.
2. Remove the plastic baffle from inside the reservoir. Clean with warm soapy water, rinse.
3. Fill the reservoir with a mixture of 1 gallon tap water and 1 teaspoon or unscented bleach (5.25% sodium hypochlorite).
4. Let sit for 30 minutes.
5. Dispense 1 cup of mixture through both faucets to clean out water ways.
6. Place a 2 gallon or larger bucket under the drain plug in the rear of the dispenser. Remove drain cap and drain plug.



To Remove Bottle Receptacle

Reminder - Place the drain cap, drain plug and screw in a safe location so that they will not be lost.

7. Once unit has completed draining, empty the bucket and return it to under the drain cap.
8. Replace drain cap and drain plug.
9. Wipe the inside of the reservoir with a soft cloth.
10. Fill the reservoir with 1 gallon of tap water.
11. Dispense 1 cup of water through both faucets to rinse out water ways.
12. Remove the drain cap and the drain plug.



Reminder - Place the drain cap, drain plug and screw in a safe location so that they will not be lost.

13. Remove the water from the reservoirs by dispensing it from both taps into a pitcher.
14. Replace all parts. Reminder - Don't forget the drain plug and drain cap.
15. Complete the installation and follow the operation instructions indicated in this manual. If your water has an off-taste, do not return the dispenser to store. Call 1-855-594-4755 for assistance.

IMPORTANT: Do NOT Return Dispenser To Store.

If you have a question or problem, please contact 1-855-594-4755 for assistance.

PROPER CARE & DESCALING

General Cleaning

Perform: As needed

Time Required: 5 minutes.

Note: Do NOT use abrasive materials or chemical cleaners.

They may scratch surfaces and contaminate drinking water. For cleaning hard spots suggest rubbing with toothpaste.

1. Clean the cabinet surfaces using a soft cloth and warm soapy water, then rinse.
2. Wipe dust at the back of dispenser to improve the unit's efficiency.
3. Remove the drip tray assembly by pulling it forward. Remove the cover. Wash both tray and cover in the dishwasher or wipe the parts clean using a soft cloth and warm soapy water.
4. Reattach drip tray assembly.

How to restore shine of stainless steel.

- Clean with cloth soaked in the dishwashing solution.
- Hard to remove spots can be rubbed away using stainless steel wool. Rub in horizontal-direction.
Then clean with cloth soaked in the dishwashing solution.
- Wipe dry with clean cloth.
- Apply a little bit of mineral oil (unscented baby oil) and rub it in evenly.

Cleaning Cold Reservoir and Water Lines

Perform: Every 3 months or whenever an off-taste occurs.

Time Required: 15 minutes.

Note: Best to do prior to loading a fresh bottle.

1. Turn energy saving switch OFF.
2. Unplug the power cord from the wall outlet.

⚠ WARNING

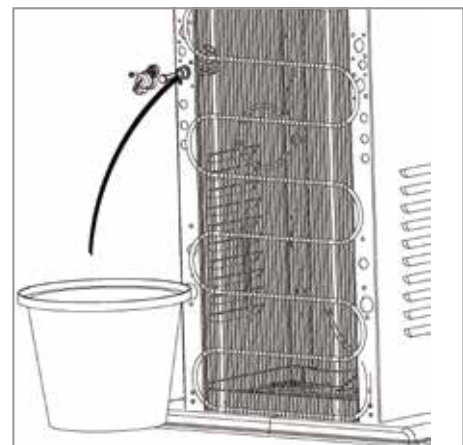
Excessive Weight Hazard

Use two or more people to move and install the water cooler and the bottles.

Failure to do so can result in back or other injury.

3. Remove the water bottle.
4. Place a 2 gallon or larger bucket under the drain plug in the rear of the dispenser.
Remove the drain cap and the silicon plug. Cold water will immediately flow into the bucket. After several seconds, hot water will be dispensed.

Reminder - Place the drain cap screw and in a safe location so that they will not be lost.



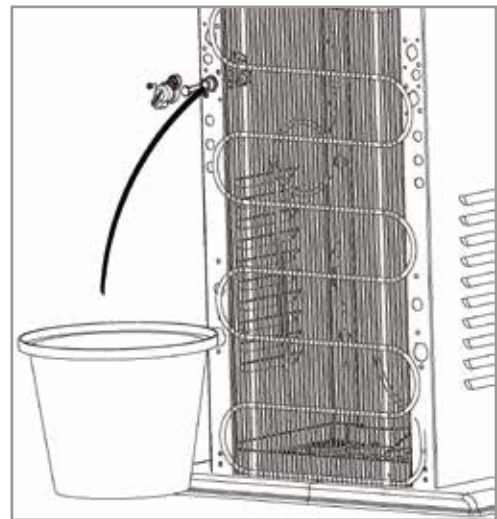
IMPORTANT: Do NOT Return Dispenser To Store.

If you have a question or problem, please contact 1-855-594-4755 for assistance.

5. Once unit has completed draining replace drain cap and drain plug.
6. Remove remaining water from cold reservoir by dispensing from both taps into a pitcher.
7. Remove bottle receptacle or collar by turning it counter clockwise and pulling up. Store in a safe place.
8. Remove plastic baffle from inside reservoir.
9. Clean bottle receptacle and baffle with a soft cloth using a mixture of one gallon tap water and 1 tablespoon unscented household bleach, then rinse.
10. Wipe inside of reservoir and area around both taps with a soft cloth using the mixture of one gallon tap water and 1 tablespoon unscented household bleach(i.e. 5.25% sodium hypochlorite).
11. Pour the one gallon tap water and 1 tablespoon unscented household bleach mixture into the reservoir.
12. Dispense 1 cup of mixture through both faucets to clean out water ways.
13. Place a 2 gallons or larger bucket under the drain plug in the rear of the dispenser. Remove drain cap and silicon plug to drain.

Reminder - Place drain cap and drain plug in a safe location so they are not lost.

14. Remove the cleaning mixture from reservoir by dispensing it from both taps into a pitcher.
15. Replace drain cap and drain plug.
16. Rinse system by repeating steps 12 – 15 above, but this time using 1 gallon of tap water.
17. Remove remaining water from reservoir by dispensing from both taps into a pitcher.
18. Replace all parts including silicon plug, drain cap, baffle and probe assembly.



⚠ WARNING

Excessive Weight Hazard

Use two or more people to move and install the water cooler and the bottles.
Failure to do so can result in back or other injury.

19. Install a fresh bottle of water after cleaning bottle cap and neck area.
20. Repeat rinsing cycle if chlorine taste persist.
21. Plug power cord into grounded wall outlet.
22. Turn energy saving switch ON.

⚠ WARNING



Electrical shock Hazard

Plug into a grounded 3 prong outlet.
Do not remove ground prong.
Do not use an adapter.
Do not use an extension cord.
Failure to follow these instructions can result in death, fire, or electrical shock.

IMPORTANT: Do NOT Return Dispenser To Store.
If you have a question or problem, please contact 1-855-594-4755 for assistance.

Descaling

If you use mineral water you will need to descale your hot water tank.

When mineral water is used, calcium deposits will block passageways in the hot water tank. This blockage can be observed by the gradual slow down in the flow rate.

Descaling Solutions

There are 2 substances proven to remove calcium deposits efficiently. They are:

1. White vinegar used for cooking.
2. Lemon acid in powdered form, used by beverage makers and bakeries.

Depending on the frequency of decalcification treatments, please use the following proportions of substances.

1. White Vinegar:

- For descaling once every 3 months, use 2 cups (500 ml) of white vinegar with 2.5 liters of hot water.
- For descaling once every 6 months, use a mixture of 6 cups of white vinegar with 2 liters of hot water.
- For descaling once every year, use 12 cups of white vinegar and 1 liter of hot water.
- For descaling less frequently than once a year, use undiluted white vinegar.

2. Lemon Acid:

- For descaling once every 3 months, use a mixture of 1 oz. of powdered lemon acid and 3.5 liters of hot water.
- For descaling once every 6 months, use a mixture of 2 oz. of powdered lemon acid and 3.5 liters of hot water.
- For descaling once every year, use a mixture of 4 oz. of powdered lemon acid and 3.5 liters hot water.
- For descaling less frequently than once a year, use a mixture of 5 oz. of powdered lemon acid and 3.5 liters hot water.

Descaling Procedure

1. Fill a bucket or empty 5-gallon water bottle with the descaling solution of your choice. For proportions, refer to the instructions above. Choose substance and quantity in accordance with the frequency of your treatments.
2. Attach or insert the probe to the bucket/bottle.

IMPORTANT: Do NOT Return Dispenser To Store.
If you have a question or problem, please contact 1-855-594-4755 for assistance.

3. Place the bucket/bottle into the cooler and close the door. The water will be pumped up into the holding tanks.
4. Plug in the cooler and turn on the hot switch located at the back of the cooler. Do not turn on the cold-water switch.
5. Wait for 1 hour.
6. Unplug the cooler from the wall
7. Using rear drain plug, drain the water from the cooler into a bucket and discard the water.
 - A. Locate the white plastic cap at the back of the cooler.
 - B. Remove the screw.
 - C. Remove the clear silicone drain plug and allow water to drain out.
 - D. Reattach the drain plug and plastic cap before proceeding.
8. Fill the bucket/bottle with tap water and place into the machine.
9. Plug the cooler back into the wall, close the door and wait for 10 minutes.
10. Dispense water from both cold and hot faucets until smell from cleaning substances disappears.
11. Open drain plug and cap once again and drain all tap water.
12. Replace the drain plug and cap.
13. Place a fresh bottle of water into the machine and operate as usual.
14. This procedure must be repeated every 3 to 6 months, depending on mineral content and usage of water cooler.

Note:

Cleaning with vinegar or lemon acid also destroys bacteria and Biofilm.

IMPORTANT: Do NOT Return Dispenser To Store.
If you have a question or problem, please contact 1-855-594-4755 for assistance.

TROUBLESHOOTING

Dispenser is not operating.

- Make sure that the power cord is properly connected to a working outlet.

Water is leaking.

- Replace water bottle. Most common cause is a cracked bottle.
- Call 1-855-594-4755 for assistance.

Push buttons are stuck and/or faucets are leaking.

- Apply mineral oil (baby oil) to the button slides to reduce friction.

No water is coming from the taps.

- Make sure that the bottle is not empty. If so, replace it.
- Make sure that you fully press the water controls.
- Remove bottle receptacle as per page 9 step 1. Shake bottle receptacle vigorously for a few seconds then replace.

Water dispensed is not cold.

- It takes up to 6 hours after setup to dispense cold water.
- Make sure that the back of the dispenser is at least 4 inches from a wall and that air is free to flow on all 4 sides of the dispenser.
- Make sure that the tank is not overfilled. Dispense water until bubbles appear in the bottle.

Water dispensed is not hot.

- It takes 15-20 minutes after setup to dispense hot water.
- Make sure that the power cord is properly connected to a working outlet.
- Make sure that the energy saving switch is ON.

Dispenser is noisy.

- Make sure that the dispenser is positioned on a level surface.

Water tastes bad.

- Drain the water from the reservoirs and replace the bottle with a fresh one.
- Clean dispenser as outlined in “ Proper Care & Cleaning ” section.

Cleaning stainless steel.

- This treatment removes and prevents finger prints from marring surface. Please rub in small amount of mineral oil (Unscented Baby oil) wipe clean, it will enrich the looks.

IMPORTANT: Do NOT Return Dispenser To Store.
If you have a question or problem, please contact 1-855-594-4755 for assistance.

LIMITED WARRANTY

Electrotemp Technologies Inc., (“Vendor”) warrants to the original purchaser of this dispenser, and to no other person, that if this dispenser is assembled and operated in accordance with the printed instructions accompanying it, then for a period of one (1) year from the date of purchase, all parts in such dispenser shall be free from defects in material and workmanship. Vendor may require reasonable proof of your date of purchase from an authorized retailer or distributor. Therefore, you should retain your sales slip or invoice. The Limited Warranty shall be limited to repair or replacement of parts, which prove defective under normal use and service and which Vendor shall determine in its reasonable discretion upon examination to be defective. Before returning any parts, you should contact Vendor’s Customer Service Department using the contact information listed below. If Vendor confirms, after examination, a defect covered by this Limited Warranty in any returned part, and if Vendor approves claim, Vendor will replace such defective part without charge. If you return defective parts, transportation charges must be prepaid by you. Vendor will return replacement parts to original purchaser, freight or postage prepaid.

The Limited Warranty does not cover any failures or operating difficulties due to accident, abuse, misuse, alteration, misapplication, improper installation or improper maintenance or service by you or any third party, or failure to perform normal and routine maintenance on the dispenser, as set out in the User’s Manual. In addition, the Limited Warranty does not cover damages to the finish, such as scratches, dents, discoloration or rust after purchase.

The Limited Warranty is in lieu of all other express warranties. Vendor disclaims all warranties for products that are purchased from seller other than authorized retailers or distributors. AFTER THE PERIOD OF THE ONE (1) YEAR EXPRESS WARRANTY, VENDOR DISCLAIMS ANY AND ALL IMPLIED WARRANTIES, INCLUDING WITHOUT LIMITATION THE IMPLIED WARRANTIES OF MERCHANTABILITY AND FITNESS FOR A PARTICULAR PURPOSE. FURTHER, VENDOR SHALL HAVE NO LIABILITY WHATSOEVER TO PURCHASER OR ANY THIRD PARTY FOR ANY SPECIAL, INDIRECT, PUNITIVE, INCIDENTAL, OR CONSEQUENTIAL DAMAGES. Vendor assumes no responsibility for any defects caused by third parties. This Limited Warranty gives the purchaser specific legal rights; a purchaser may have other rights depending upon where he or she lives. Some jurisdictions do not allow exclusion or limitation of special, incidental or consequential damages, or limitations on how long a warranty lasts, so the above exclusion and limitations may not apply to you.

Warranty is void if the electrical outlet is improperly wired to incorrectly sized circuit breaker or fuse, if not grounded properly, or wires do not have correct polarity.

Use of this cooler confirms Purchasers agreement with the conditions of this warranty.

Electrotemp Technologies Inc.
406 Watline Avenue
Mississauga, Ontario, Canada, L4Z-1X2
1-844-926-6537
www.electrotemp.com

名称：说明书7LIECH-SSF-WL-English

图号：5M000033XN04(E+F)

修 订	版本号	修改内容	修改人	修改日期
	01	1. 第2页, 5页, 6页, 11页等等按客户要求更改 2. 增加翻倒警告标贴 3. 不锈钢清洗有修改 4. 把原来的13页 合并到12页 5. 超重警告标贴和电气警告标贴字体和大小有调整	李雪玲	2013-10-04
	02	1. 产品尺寸由10.8 x 11.3 x 35.9(inch) 275 x 286 x 913(mm) 改为16.1 x 14.1 x 36.7(inch) 410 x 359 x 933(mm) 2. 净重由27.6lbs / 12.5kg 改为29.23lbs / 13.26kg	李雪玲	2013-10-17
	03	1. 产品尺寸由16.1 x 14.1 x 36.7(inch) 410 x 359 x 933(mm)改为 10.8 x 11.3 x 35.9(inch) 275 x 286 x 913(mm) 2. 净重由29.23lbs / 13.26kg 改为27.6lbs / 12.5kg 3. 去掉能源之星, 底托换成可调脚垫	李雪玲	2014-01-24
	04	1. 封面电话邮箱箱内容有修改, 2.pg2最下方有内容修改, 3, pg3有增加和修改内容, 4.pg4product features有内容修改5.pg5产品高度尺寸修改92.7cm, 6.unpacking and assembly中有内容修改,installation有增加和修改, 7.pg8 dispensing cold water中有内容修改, 8.pg9proper care & descaling修改和内容增加9.pg14增加全内容 limited warranty10.pg15电话更改和下面内容有变更	陈军威	2015-08-26

技术要求:

- 1、尺寸：215×279mm
- 2、单色印刷
- 3、产品符合RoHS要求
- 4、批量生产前一定要样品确认，不得擅自更改图纸。

设计：_____ 工程审核：_____ 业务审核：_____

品质审核：_____ 批准：_____