



Whirlpool®

---

**Self-Cleaning  
Hot & Cold Hidden  
Bottle-Water Cooler**

**Model No.: 8LIECH-SCSSFP5W**

**USERS' MANUAL**

**SAVE THIS MANUAL FOR  
FUTURE USE**

**For service, call 1-855-594-4755  
or e-mail [Whirlpool@electrotemp.com](mailto:Whirlpool@electrotemp.com)**

# TABLE OF CONTENTS

|  |    |
|--|----|
| Safety Precautions-Electrical Requirements ..... | 2  |
| Safety Precautions .....                         | 3  |
| Product Features .....                           | 4  |
| Key Information for Future Use .....             | 4  |
| Specifications .....                             | 5  |
| Parts & Features .....                           | 5  |
| Unpacking and Assembly .....                     | 6  |
| Installation .....                               | 6  |
| SELF-CLEANING - An Exclusive Feature .....       | 7  |
| Operation .....                                  | 7  |
| Proper Care & Descaling .....                    | 11 |
| LED Indicator Lights .....                       | 13 |
| Troubleshooting .....                            | 14 |
| Limited Warranty .....                           | 16 |

## SAFETY PRECAUTIONS ---Electrical Requirements

### **⚠ WARNING**



**Electrical shock Hazard**

- Plug into a grounded 3 prong outlet.
- Do not remove ground prong.
- Do not use an adapter.
- Do not use an extension cord.
- Failure to follow these instructions can result in death, fire, or electrical shock.

A 120 volt, 60 Hz., AC only, 15 amp, fused electrical supply is required. A time-delay fuse or circuit breaker is recommended.

If codes permit and a separate ground wire is used, it is recommended that a qualified electrician determine that the ground path is adequate.

Check with a qualified electrician if you are not sure whether the water cooler is properly grounded. The proprietary design of the hot water tank assures availability of hot water and efficient energy use.

**IMPORTANT: Do NOT Return Dispenser To Store.**

**If you have a question or problem, please contact 1-855-594-4755 for assistance.**

# SAFETY PRECAUTIONS

## Your safety and the safety of others are very important.

We have provided many important safety messages in this manual and your appliance. Always read and follow all safety messages.



This is the safety alert symbol.

This symbol alerts you to potential hazards that can kill or injure you and others.

All safety messages will follow the safety alert symbol and either the word "DANGER" or "WARNING"

These words mean:

**⚠ DANGER**

You can be killed or seriously injured if you don't immediately follow the instructions.

**⚠ WARNING**

All safety instructions will inform you what the potential hazard is, how to reduce the chance of injury, and what can happen if the instructions are not followed.

### State of California Proposition 65 Warnings:

**WARNING:** This product contains one or more chemicals known to the State of California to cause cancer.

**WARNING:** This product contains one or more chemicals known to the State of California to cause birth defects or other reproductive harm.

The above warnings apply to electrical components within this product only, and not components that come into contact drinking water.

## IMPORTANT SAFETY INSTRUCTIONS

**WARNING:** To reduce the risk of fire, electric shock, or other injury when using your water cooler, follow these basic precautions:

- Plug it into a grounded 3-prong outlet.
- Do not remove the ground prong.
- Do not use an adapter.
- Disconnect power before servicing.
- Never allow children to dispense hot water without proper supervision. Unplug unit to prevent unsupervised use by children.
- All of the parts and panels must be in place before use.
- Do not use an extension cord.
- Two or more people should move and install the water cooler and the bottles.

**SAVE THESE INSTRUCTIONS**

### When operating this dispenser, please observe the following:

- Prior to use, this dispenser must be properly assembled and installed in accordance with this manual.
- This dispenser is intended to dispense water only. Do NOT use other liquids. Do NOT use for other purposes. Never use other liquids in the dispenser other than known and microbiologically safe bottled water. Warranty is void if used with any other liquids, including but not limited to coffee, tea, juices, beer or wine.

### Location Requirements:

- Install the unit in an area where it is protected from the elements, including direct sun.
- Install and use only on a hard, flat and level surface.
- Do NOT place the dispenser inside an enclosed space or cabinet.
- Position the dispenser no closer than 4 inches from the wall. Leave at least 4 inches of clearance on all sides to permit free airflow.
- Service should only be performed by a certified technician. Please call 1-855--594-4755 for assistance.

**IMPORTANT: Do NOT Return Dispenser To Store.**

If you have a question or problem, please contact 1-855-594-4755 for assistance.

## PRODUCT FEATURES

---

**Congratulations! You have chosen a technology advanced, state-of-the-art water cooler.**

To provide consistently cold water, this water cooler forms an "Ice Bank" in the cold tank. Formation of the initial "Ice Bank" can take up to 1 hour.

**WHEN THE UNIT IS PLUGGED IN FOR THE FIRST TIME, IT CAN TAKE OVER AN HOUR BEFORE THE "ICE BANK " FORMS AND THE UNIT CAN PROVIDE THE COLDEST WATER.**

## KEY INFORMATION FOR FUTURE USE

---



Please register your dispenser immediately at [www.electrotemp.com](http://www.electrotemp.com)

For future support, please record your serial number (located on the label at the back of the dispenser) and purchase date. Staple your receipt to the manual.

You will need this information to obtain warranty service.

Product **Self-Cleaning Hot & Cold Hidden Bottle-Water Cooler**

Model Number **8LIECH-SCSSFP5W**

Serial ID Number \_\_\_\_\_

Date of Purchase \_\_\_\_\_

**IMPORTANT: Do NOT Return Dispenser To Store.**  
If you have a question or problem, please contact 1-855-594-4755 for assistance.

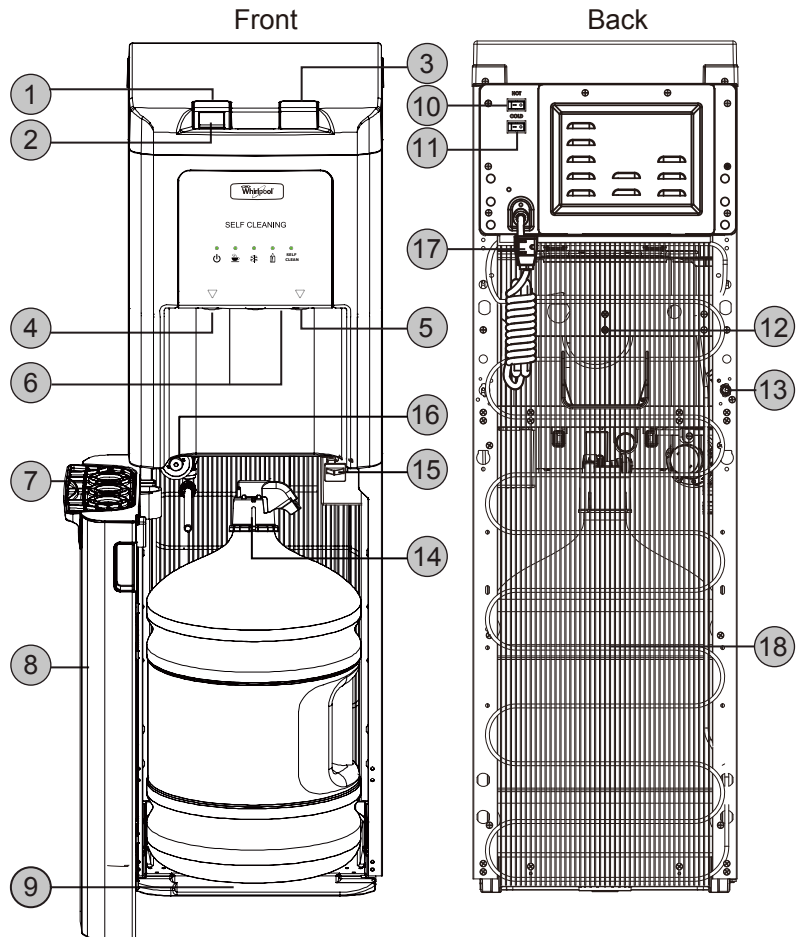
# SPECIFICATIONS



|                      |  |
|----------------------|--|
| Power Supply         | AC 120V / 60Hz / 6.5Amp  |
| Refrigerant Type     | R-134A   |
| Cold Water Power     | < 100 Watts  |
| Cold Capacity / Hour | 4 Litres / 1.06 Gallon   |
| Cold Temperature     | 3°C - 10°C / 37.4°F - 50°F   |
| Hot Water Power      | 650 Watts  |
| Hot Capacity / Hour  | 6 Litres / 1.59 Gallon   |
| Hot Temperature      | 80°C - 92°C / 176°F - 197.6°F                                      |
| Dimensions           | 1028H mm x 320W mm x 382D mm<br>40.5H inch x 12.6W inch x 15D inch |
| Net Weight           | 37.7 lbs / 17.1 Kg   |

# PARTS & FEATURES

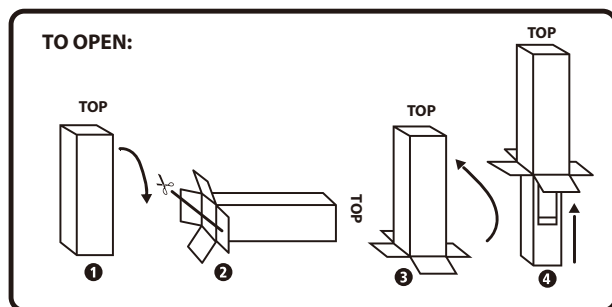
- Control: Hot Water (1)
- Hot Water Release (2)
- Control: Cold Water (3)
- Hidden Faucet or tap (hot water) (4)
- Hidden Faucet or tap (cold water) (5)
- LED Night Lights (6)
- Drip Tray (7)
- Door (8)
- Bottle Tray (9)
- Hot Power Switch (Energy Saving) (10)
- Cold Power Switch (Energy Saving) (11)
- Carry Handle (12)
- Drain Plug (13)
- Bottle Probe (14)
- Door Switch (15)
- Water pump (16)
- Power Cord (17)
- Condenser (18)



**IMPORTANT: Do NOT Return Dispenser To Store.**  
 If you have a question or problem, please contact 1-855-594-4755 for assistance.

## UNPACKING AND ASSEMBLY

Remove the dispenser from packaging:



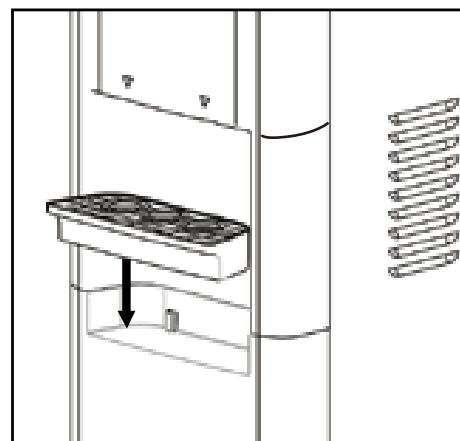
1. Lay the box containing the unit on its side.
2. Open bottom flaps of the cardboard box.
3. Stand cooler upright, with box flaps unfolded.
4. Pull box straight up.
5. Unpack the drip tray and insert it into the dispenser.
6. Keep original packing for the duration of warranty.

### ⚠ WARNING

#### Excessive Weight Hazard

Use two or more people to move and install the water cooler and the bottles.

Failure to do so can result in back or other injury.



## INSTALLATION

### ⚠ WARNING

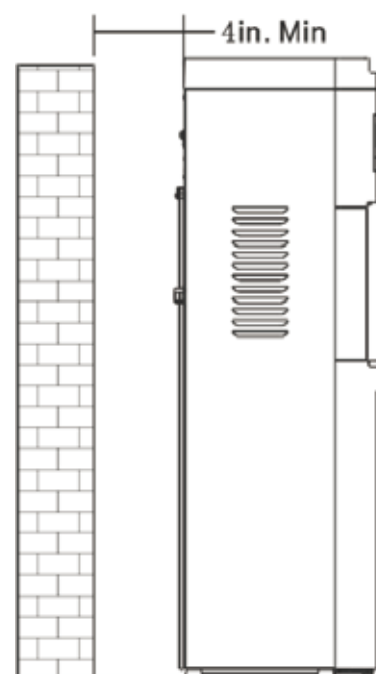
#### Excessive Weight Hazard

Use two or more people to move and install bottles.

Failure to do so can result in back or other injury.

**Note: Do NOT plug in the power cord until told to do so.**

1. Place the dispenser on a hard and level surface in a cool, shaded location near a grounded wall outlet.
2. Position dispenser so that the back is at least 4 inches from the wall, and there are at least 4 inches of clearance on both sides.
3. To minimise vibrations and noise, use mat provided. If required, place shims under the bottom of dispenser to make it sit even without rocking.



**IMPORTANT: Do NOT Return Dispenser To Store.**  
If you have a question or problem, please contact 1-855-594-4755 for assistance.

## SELF-CLEANING - An Exclusive Feature

---

Your water cooler has automatic SELF CLEANING feature to prevent the formation of bacteria laden bio-film and to maintain the original quality of the bottled water. It is not meant to filter or purify dirty water.

Water coolers typically grow bio-film and require manual cleaning every 3 months. This machine will do it for you automatically every 4 hours. Carefully measured amounts of ozone are injected to kill harmful bacteria.

Ozone emission into ambient air is controlled in accordance with OSHA requirements. All waterways and the water bottle with probe are protected by the patented self clean feature

For more information on bio-film in water coolers please see website for a study made by Medical Faculty of University of Laval, Quebec, Canada.

**<http://aem.asm.org/content/60/4/1174.full.pdf>**

## OPERATION

---

### IMPORTANT

The unit's self-cleaning feature prevents formation of Biofilm. The self-cleaning feature is not intended for water purification.


This unit is intended for use with high-quality bacteriologically safe bottled water only. Do NOT use other liquids. Do NOT use for other purposes. Warranty is void if unit is used with any other liquids, including tap water, coffee, tea, juices, beer, or wine.

This dispenser has been designed to use with standard water bottles with a 3, 5, or 5.2 gallon capacity. Do NOT use alternative bottles.

**IMPORTANT: Do NOT Return Dispenser To Store.  
If you have a question or problem, please contact 1-855-594-4755 for assistance.**

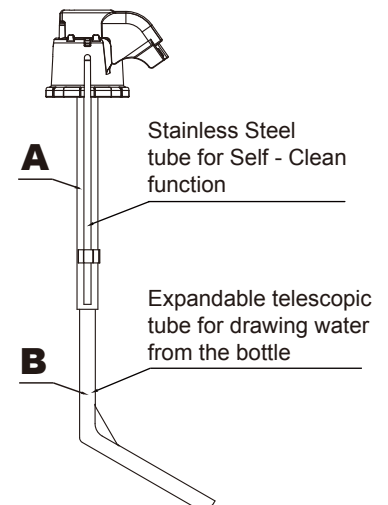
## Initial Set Up

Do NOT plug in until steps 1-3 are completed.

| <b>⚠ WARNING</b>   |
|--|
|   |
| <p style="text-align: center;">Electrical shock Hazard</p> <p>Plug into a grounded 3 prong outlet.<br/>Do not remove ground prong.<br/>Do not use an adapter.<br/>Do not use an extension cord.<br/>Failure to follow these instructions can result in death, fire, or electrical shock.</p> |

| <b>⚠ WARNING</b>  |
|---|
| <p style="text-align: center;">Excessive Weight Hazard</p> <p>Use two or more people to move and install the water cooler and the bottles.<br/>Failure to do so can result in back or other injury.</p> |

1. If unit was transported on its side, make sure unit is in the OFF position and is upright for at least 4 hours prior to plugging the unit in.
2. This model uses a pump to deliver water from the bottle to the reservoirs:
  - i. Clean the bottle cap and neck.
  - ii. Remove the entire plastic cap from the bottle.
  - iii. Adjust the length of the probe by pulling the B portion of the tube to its maximum extension. Insert the probe into the bottle and push it down. The probe will self-adjust to its appropriate length. (See illustration on right).
  - iv. Push down the probe head until it is seated.
  - v. Plug power cord into the wall outlet.



**Note:** At initial set-up, it will take less than 3 minutes to fill reservoirs with water. If pump stops prematurely, please open and close the door to activate reset using door switch.

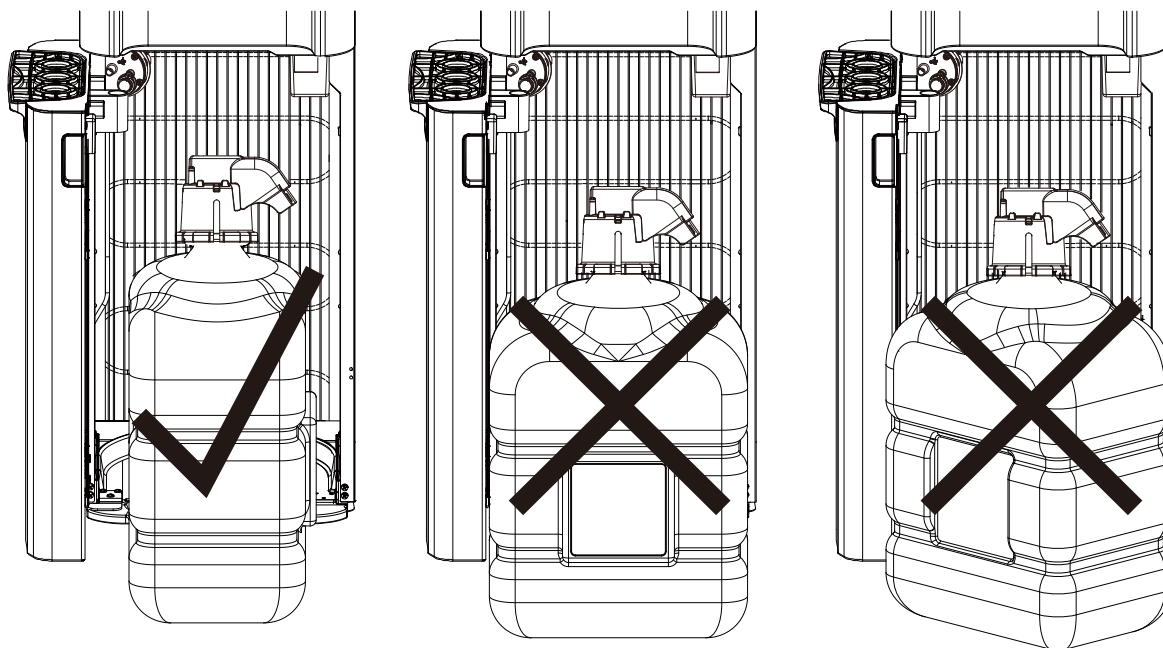
**NOTE:** When using a 5 gallon rectangular bottle, slide it into place as shown in the illustration below.

- If the probe tube A and B are not sealed(see previous page), the pump will run a few minutes and the night lights will flash. To correct, open the door, re-attach the probe, and close the door.
- If the lights continue to flash, your bottle may be empty or there may be an issue with the water

**IMPORTANT: Do NOT Return Dispenser To Store.**  
If you have a question or problem, please contact 1-855-594-4755 for assistance.



tube lines. Call 1-855-594-4755 for assistance.



3. Turn the switches at the back of the dispenser to ON.

- The red switch controls the hot water. If you do not want hot water, leave this switched OFF.
- The blue switch controls the cold water. If you do not want cold water, leave this switched OFF.
- For the unit to operate properly, the probe head must seal on the bottle and the door must be fully closed.
- It will take less than 3 minutes to fill reservoirs with water. During this time, it is normal for the pump to run on and off.
- If water fill stops before reservoirs are full, please open and close the door to reset door activated switch.
- Each time you dispense water from the taps, the pump will turn on to refill the tanks.
- Self-Cleaning works every 4 hours for short time. Self-Cleaning pump sound is normal.

## Dispensing Cold Water

**Note:** After setup, it will take up to 1 hour to get the water to its coldest temperature. During this time, the compressor may run continuously as the refrigeration system builds the Ice Bank as noted in the "Product Features" section.

1. Position the container you wish to fill with water securely below the cold-water tap.
  - The right triangle below the cold water control indicates the location of the cold water tap (See the "Parts & Features" section on page 5).
  - The circular shapes in the drip plate help to align the flow of water. This unit dispenses water quickly. To avoid splashes, hold the cup as close to the tap as possible.

**IMPORTANT: Do NOT Return Dispenser To Store.**  
If you have a question or problem, please contact 1-855-594-4755 for assistance.

2. Press the right control downward to start dispensing water.
3. Release the control once desired fill level is achieved.

## Dispensing Hot Water

**Note:** After setup, hot water will be available in 15-20 minutes.

1. Position the container you wish to fill with water securely below the hot-water tap.
  - The left triangle below the hot water control indicates the location of the hot water tap (See the "Parts & Features" section on page 5).
  - The circular shapes in the drip plate help align the flow of water. To avoid splashes, hold the cup as close to the tap as possible.
2. Push the hot water release button (red) inward and press the control downward to start dispensing water.
3. Release the control once desired fill level is achieved.

## Replacing an Empty Bottle

### **⚠ WARNING**

Excessive Weight Hazard  
Use two or more people to move and install bottles.  
Failure to do so can result in back or other injury.

**Note:** When your water bottle is empty, the dispenser will beep intermittently and the EMPTY BOTTLE lights will blink until a fresh bottle is connected.

You may also hear a sucking sound when the bottle is empty and needs changing. This is normal and is another way to be alerted that your bottle is empty and needs to be replaced.

Replace the bottle as soon as you notice that it is empty. If a new bottle is unavailable, leave the door ajar or unplug the cooler to stop the beeping noise and flashing lights.

There may be a small amount of water left in the bottle. This is normal.

1. Open the door and slide the bottle out.
2. Remove the probe by pulling it straight up until it is completely out of the bottle.
3. To install fresh bottle:
  - Place the fresh bottle in front of the tray.
  - Clean the fresh bottle using a soft cloth and warm soapy water .
  - Remove the entire plastic cap from the top of the bottle.
  - Insert the probe into the bottle.
  - Push the probe down until it is seated.
  - Slide the bottle onto the tray and close the door completely.

**IMPORTANT: Do NOT Return Dispenser To Store.**  
If you have a question or problem, please contact 1-855-594-4755 for assistance.

# PROPER CARE & DESCALING

---

## General Cleaning

Perform: As needed

Time Required: 5 minutes.

**Note:** Do NOT use abrasive materials or chemical cleaners.

1. Clean cabinet surfaces with a soft cloth and warm soapy water.
2. Wipe dust from back of dispenser to improve the unit's efficiency.
3. Remove the drip tray assembly by sliding it forward. Remove the cover. Wash both tray and cover in a dishwasher or wipe parts clean with a soft cloth and warm soapy water.
4. Reattach drip tray assembly.

## Descaling

If you use mineral water you will need to descale your hot water tank.

When mineral water is used, calcium deposits will block passageways in the hot water tank. This blockage can be observed by the gradual slow down in the flow rate.

## Descaling Solutions

There are 2 substances proven to remove calcium deposits efficiently. They are:

1. White vinegar used for cooking
2. Lemon acid in powdered form, used by beverage makers and bakeries

Depending on the frequency of decalcification treatments, please use the following proportions of substances.

### 1. White Vinegar:

- For descaling once every 3 months, use 2 cups (500 ml) of white vinegar with 2.5 liters of hot water.
- For descaling once every 6 months, use a mixture of 6 cups of white vinegar with 2 liters of hot water.
- For descaling once every year, use 12 cups of white vinegar and 1 liter of hot water.
- For descaling less frequently than once a year, use undiluted white vinegar.

### 2. Lemon Acid:

- For descaling once every 3 months, use a mixture of 1 oz. of powdered lemon acid and 3.5 liters of hot water.

**IMPORTANT: Do NOT Return Dispenser To Store.**  
If you have a question or problem, please contact 1-855-594-4755 for assistance.

- For descaling once every 6 months, use a mixture of 2 oz. of powdered lemon acid and 3.5 liters of hot water.
- For descaling once every year, use a mixture of 4 oz. of powdered lemon acid and 3.5 liters hot water.
- For descaling less frequently than once a year, use a mixture of 5 oz. of powdered lemon acid and 3.5 liters hot water.

## **Descaling Procedure**

1. Fill a bucket or empty 5-gallon water bottle with the descaling solution of your choice. For proportions, refer to the instructions above. Choose substance and quantity in accordance with the frequency of your treatments.
2. Attach or insert the probe to the bucket/bottle.
3. Place the bucket/bottle into the cooler and close the door. The water will be pumped up into the holding tanks.
4. Plug in the cooler and turn on the hot switch located at the back of the cooler. Do not turn on the cold-water switch.
5. Wait for 1 hour.
6. Unplug the cooler from the wall
7. Using rear drain plug, drain the water from the cooler into a bucket and discard the water.
  - A. Locate the white plastic cap at the back of the cooler.
  - B. Remove the screw.
  - C. Remove the clear silicone drain plug and allow water to drain out.
  - D. Reattach the drain plug and plastic cap before proceeding.
8. Fill the bucket/bottle with tap water and place into the machine.
9. Plug the cooler back into the wall, close the door and wait for 10 minutes.
10. Dispense water from both cold and hot faucets until smell from cleaning substances disappears.
11. Open drain plug and cap once again and drain all tap water.
12. Replace the drain plug and cap.
13. Place a fresh bottle of water into the machine and operate as usual.
14. This procedure must be repeated every 3 to 6 months, depending on mineral content and usage of water cooler.

**IMPORTANT: Do NOT Return Dispenser To Store.  
If you have a question or problem, please contact 1-855-594-4755 for assistance.**

## LED INDICATOR LIGHTS

### 1 POWER INDICATOR

When the LED light is constantly lit it indicates that power is being supplied to the unit.

### 2 HEATER INDICATOR

When the LED light is flashing it indicates that the heating system is working. When the LED light is constantly lit, it indicates that the hot water is ready. When the LED light is off it shows that the heating system is off.

### 3 COOLING INDICATOR

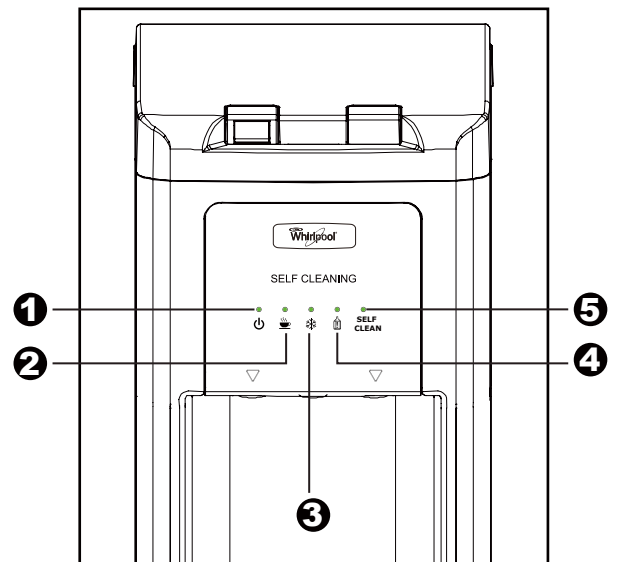
When the LED light is flashing it indicates that the cooling system is working. When the LED light is constantly lit, it indicates that the cold water is ready. When the LED light is off it indicates that the cooling system is off.

### 4 EMPTY BOTTLE INDICATOR

The LED light is constantly lit when the water bottle has enough water for normal operation. When the LED light is flashing it indicates that the level of water in the bottle is low and a new full bottle should be installed.

### 5 SELF CLEAN INDICATOR

When the LED light is flashing it indicates that the self-cleaning takes place. When the LED light is constantly lit it indicates that the self-clean protection is on.



**IMPORTANT: Do NOT Return Dispenser To Store.**  
If you have a question or problem, please contact 1-855-594-4755 for assistance.

## TROUBLESHOOTING

---

**Call 1-855-594-4755 for service.**

**Problem:** Stainless steel surfaces are smudgy or fingerprinted.


**Solution:** Use paper towel to wipe excess oils until surface feels dry to the touch.

- To maintain beauty of stainless steel, oil it periodically using a stainless steel cleaning solution available at hardware stores, or use mineral oil (unscented baby oil).

**Problem:** The buttons for dispensing water are slow-moving or jammed.

**Solution:** Dust and cooking oils might cause slow moving push buttons. Add mineral oil (unscented baby oil) between the gaps of buttons to clear dirt.

**Problem:** Dispenser is not operating.

| <b>⚠ WARNING</b>   |
|--|
|    |
| <b>Electrical shock Hazard</b><br>Plug into a grounded 3 prong outlet.<br>Do not remove ground prong.<br>Do not use an adapter.<br>Do not use an extension cord.<br>Failure to follow these instructions can result in death, fire, or electrical shock. |

**Solution:** Make sure that the power cord is properly connected to a working outlet.

**Problem:** Water is leaking.

| <b>⚠ WARNING</b>  |
|---|
| <b>Excessive Weight Hazard</b><br>Use two or more people to move and install bottles.<br>Failure to do so can result in back or other injury. |

**Solution:** Replace water bottle. The most common cause of this issue is a cracked bottle. If the leak remains, unplug unit and call 1-855-594-4755 for assistance.

**IMPORTANT: Do NOT Return Dispenser To Store.**  
If you have a question or problem, please contact 1-855-594-4755 for assistance.

**Problem:** Buttons are stuck.

**Solution:** Apply mineral oil (unscented baby oil) to the button slides to reduce friction.

**Problem:** No water is coming from the taps.

**Solution:** Make sure the water bottle is not empty. If it is, replace it. If not, adjust the probe to an appropriate length.

- Make sure that you fully press the water controls.
- Make sure that the probe connection with the water bottle forms a complete seal.
- Make sure that the door is closed.

**Problem:** Water dispensed is not cold.

**Solution:** Note that it takes up to 1 hour after setup to dispense cold water.

- Make sure that the back of the dispenser is at least 4 inches from a wall and that air is free to flow on all 4 sides of the dispenser.
- Make sure that the cold-water switch is ON.

**Problem:** Water dispensed is not hot.

**Solution:** Note that it takes 15-20 minutes after setup to dispense hot water.

- Make sure that the power cord is properly connected to a working outlet.
- Make sure that the hot water switch is ON.

**Problem:** LED night lights are flashing and the dispenser is making beeping noises.

**Solution:** Replace the empty bottle. If you cannot replace the empty bottle immediately, leave the door ajar or unplug the cooler to stop the beeping noise and the flashing lights.

**Problem:** The dispenser is noisy.

**Solution:** Make sure that the dispenser is positioned on a level surface, or use the mat provided on uneven surfaces.

**Problem:** Pump is not pumping water into cooler.

**Solution:** Make sure that tubing is properly inserted into quick connectors on the pump.

**IMPORTANT: Do NOT Return Dispenser To Store.**  
If you have a question or problem, please contact 1-855-594-4755 for assistance.

## LIMITED WARRANTY

---

Electrotemp Technologies Inc., (“Vendor”) warrants to the original purchaser of this dispenser, and to no other person, that if this dispenser is assembled and operated in accordance with the printed instructions accompanying it, then for a period of one (1) year from the date of purchase, all parts in such dispenser shall be free from defects in material and workmanship. Vendor may require reasonable proof of your date of purchase from an authorized retailer or distributor. Therefore, you should retain your sales slip or invoice. The Limited Warranty shall be limited to repair or replacement of parts, which prove defective under normal use and service and which Vendor shall determine in its reasonable discretion upon examination to be defective. Before returning any parts, you should contact Vendor’s Customer Service Department using the contact information listed below. If Vendor confirms, after examination, a defect covered by this Limited Warranty in any returned part, and if Vendor approves claim, Vendor will replace such defective part without charge. If you return defective parts, transportation charges must be prepaid by you. Vendor will return replacement parts to original purchaser, freight or postage prepaid.

The Limited Warranty does not cover any failures or operating difficulties due to accident, abuse, misuse, alteration, misapplication, improper installation or improper maintenance or service by you or any third party, or failure to perform normal and routine maintenance on the dispenser, as set out in the User’s Manual. In addition, the Limited Warranty does not cover damages to the finish, such as scratches, dents, discoloration or rust after purchase.

The Limited Warranty is in lieu of all other express warranties. Vendor disclaims all warranties for products that are purchased from seller other than authorized retailers or distributors. AFTER THE PERIOD OF THE ONE (1) YEAR EXPRESS WARRANTY, VENDOR DISCLAIMS ANY AND ALL IMPLIED WARRANTIES, INCLUDING WITHOUT LIMITATION THE IMPLIED WARRANTIES OF MERCHANTABILITY AND FITNESS FOR A PARTICULAR PURPOSE. FURTHER, VENDOR SHALL HAVE NO LIABILITY WHATSOEVER TO PURCHASER OR ANY THIRD PARTY FOR ANY SPECIAL, INDIRECT, PUNITIVE, INCIDENTAL, OR CONSEQUENTIAL DAMAGES. Vendor assumes no responsibility for any defects caused by third parties. This Limited Warranty gives the purchaser specific legal rights; a purchaser may have other rights depending upon where he or she lives. Some jurisdictions do not allow exclusion or limitation of special, incidental or consequential damages, or limitations on how long a warranty lasts, so the above exclusion and limitations may not apply to you.

Warranty is void if the electrical outlet is improperly wired to incorrectly sized circuit breaker or fuse, if not grounded properly, or wires do not have correct polarity.

Use of this cooler confirms Purchasers agreement with the conditions of this warranty.

Electrotemp Technologies Inc.  
406 Watline Avenue  
Mississauga, Ontario, L4Z-1X2  
1-844-926-6537  
[www.electrotemp.com](http://www.electrotemp.com)

®/™ ©2015 Whirlpool. All rights reserved.

Manufactured under license by Electrotemp Technologies Inc., Mississauga, ON. Canada  
Limited warranty provided by manufacturer.



名称：说明书8LIECH-SCSSFP5W(加拿大ETI 网销)-English  
图号：5M011083XX00(E+F)

技术要求：

- 1、尺寸：215 × 279mm
- 2、单色印刷
- 3、产品符合RoHS要求
- 4、批量生产前一定要样品确认，不得擅自更改图纸。
- 5、已经根据DRC-包材设计可靠性检查表核对过。

设计：\_\_\_\_\_ 工程审核：\_\_\_\_\_ 业务审核：\_\_\_\_\_

品质审核：\_\_\_\_\_ 批准：\_\_\_\_\_